



VG12W5xx-C 系列球阀安装在水平管道中心线上或该中心线上方。为确保控制阀的正常运作，阀门上游距离至少为阀门口径的6倍，阀门下游至少为阀门口径2倍。

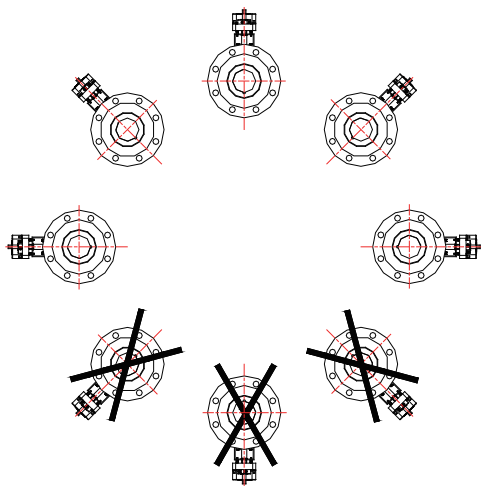
VG12W5xx-C ball valve shall be installed right in or above the center line of horizontal pipeline. To ensure the trouble-free operation of control valve, the length of straight pipe on upstream of valve shall be minimum 6 times of size and for downstream, shall be 2 times of size minimum.

■ 安装匹配表 Valve & Actuator Selection Guide

口径/Size	球阀型号/Valve	执行器/Actuator	连接支架/Linkage
DN100	VG12W5Jx-C	M9124-xGA	M9000-619-C
DN125	VG12W5Kx-C	M9132-xGA	
DN150	VG12W5Lx-C		

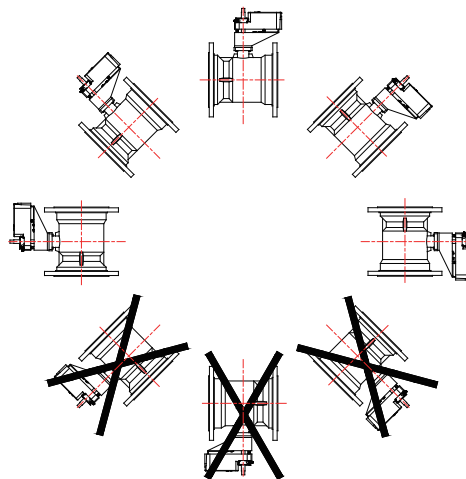
■ 执行器安装

当在现场安装电动执行器时，先用活络扳手将阀杆转动数次，这种转动将会消除由于长期存放所建立的力矩。



■ Mounting the Actuator

When mounting the actuator in the fields, before installing the actuator, use an adjustable wrench to manually rotate the valve stem several times. This rotation may relieve the torque that may have built up during long-term storage.



■ 对电动执行器或管线系统的维护

在对电动执行器或管线系统维护前须：

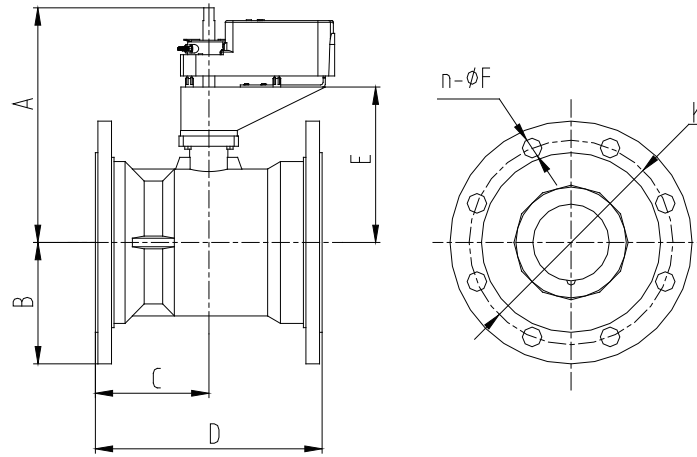
- 切断电动执行器电源
- 释放管线系统的压力

■ Servicing the Actuator or Piping System

When servicing the electric actuator or the piping system:

- Disconnect the power supply to the actuator
- Relieve the pressure in the piping system

■ 尺寸 Dimensions (mm)



型号 Model	口径 DN	A	B	C	D	E	n- φ F	K	螺栓 Screw
VG12W5Jx-C	DN100	251	110	114.5	229	160	8- φ 19	φ 180	M16
VG12W5Kx-C	DN125	272	125	127	254	171.5	8- φ 19	φ 210	M16
VG12W5Lx-C	DN150	283	142.5	133.5	267	182.5	8- φ 23	φ 240	M20

■ 技术参数

产品	VG12W5xx-C 法兰球阀	
适用介质	热水、冷冻水, 50/50的乙二醇溶液, 饱和蒸汽	
适用介质温度	-10-121°C (水/水溶液), 121°C (饱和蒸汽)	
额定压力	PN16	
最大关断力	689kPa (DN100/125), 400kPa (DN150)	
最大推荐工作压差	最大安静工作压差207kPa	
可控比	大于 200:1	
最低工作环境温度	-20° C M9124/M9132 系列非弹簧复位执行器	
最高工作环境温度	50° C M9124/M9132 系列非弹簧复位执行器	
允许泄漏率	最大流量的0.01%, ANSI/FCI 70-2, Class 4	
法兰连接	ISO 7005-2	
阀门材质	阀体	EN-JS1025 (球墨铸铁)
	阀芯及阀杆	不锈钢x5CrNI1810 EN10088-3
	阀杆密封	双重EPDM橡胶圈
	阀座	石墨增强PTFE
	配流碟片	AMODEL AS-1145HS

■ Specifications

Product	VG12W5xx-C Series Flanged Ball Valve	
Service	Hot Water, Chilled Water, 50/50 Glycol Solutions, Saturated Steam	
Valve Fluid Temperature Limits	-10-121°C (water/solution), 121°C (saturated steam)	
Rated Pressure	PN16	
Maximum Close-off Pressure	689kPa (DN100/125), 400kPa (DN150)	
Maximum Recommended Operating Pressure Drop	207kPa for quiet service	
Rangeability	Greater than 200:1	
Minimum Ambient Operating Temperature	-20° C M9124/M9132 Series Non-Spring Return Actuators	
Maximum Ambient Operating Temperature (Limited by the Actuator)	50° C M9124/M9132 Series Non-Spring Return Actuators	
Leakage	0.01% of Maximum, ANSI/FCI 70-2, Class 4	
End Connections	ISO 7005-2	
Materials	Body	EN-JS1025 (ductile iron)
	Ball and Blowout-Proof Stem	Stainless Steel x5CrNI1810 EN10088-3
	Stem Seals	EPDM Double O-Rings
	Ball seats	PTFE Graphite filled
	Characterizing Disk	AMODEL AS-1145HS